

### **Calibration Certificate**

This certificate guarantees that the product has been inspected and tested in accordance with the published specifications. The instrument has been calibrated by using equipment. Which already calibrated to standards traceable to international standards.

### **Returning Defective Products for Repairs**

Please keep your original invoice or receipt for requires servicing. Return the products to us, shipping charge prepaid.

## **User's Guide** **使用說明**

### **TRH-300 Series**

溫、濕度信號傳送器

**Temperature / Humidity  
Transmitter**



**RIXEN**

Http: [www.rixen.com.tw](http://www.rixen.com.tw)

Manufacture and Exporter

**RIXEN**

## Ordering Information

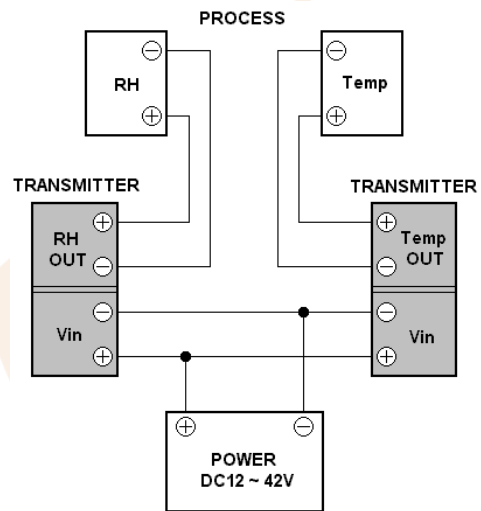
Model	Descriptions	
TRH-301	Temperature Transmitter	
TRH-302	Humidity Transmitter	
TRH-303	Humi / Temp Transmitter	
Shape (Mounting)	W	Wall mount Type
	D	Duct mount Type
	S	Separated Type
Output Signal	A	Current out
	V	Voltage out

Example: TRH-303WA, TRH-302DV

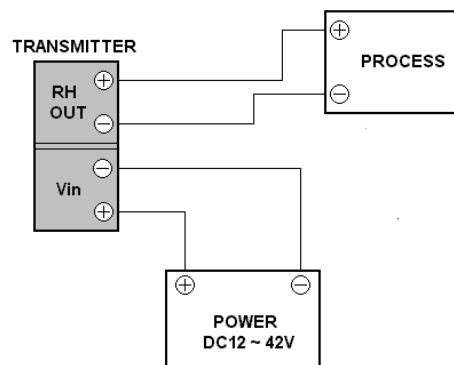
## Specifications:

Measurement Range	0~100% RH 0~100°C (-20~+80°C, 0~+50°C, -40~60°C available)
Accuracy (At 25°C)	±2% RH, ±0.3°C
Long-term Stability	Better than 1% RH per year (Typical)
Temp. Compensation	±0.008% RH / °C (Effect @ 0% RH)
Response	<15 seconds (90% at +25°C in moving air at 0.5M/S)
Sensors	Humidity: Thin-Film capacitor Temperature: RTD Pt100Ω IEC751, DIN43760
Output	Humi: 4~20mA Two wire Temp: 4~20mA Two wire (scalable) * Selectable signal output of 0 to 1V, 0 to 5V, 0 to 10V or 1 to 5V (option)
Supply Voltage	12 ~ 40V DC (at 12V, RL<10Ω ; at 24V, RL<510Ω)
Sensor Protection	Sintered filter, Part, No. TR-3066 (option)
Housing	ABS plastic watertight enclosure (IP 65)
Connections	Liquid-tight nylon, cable bushing: φ 5-10mm cables
Ambient Temperature	-40 ~ +85°C (-40 ~ +185°F)
Weight	Approx. 150g

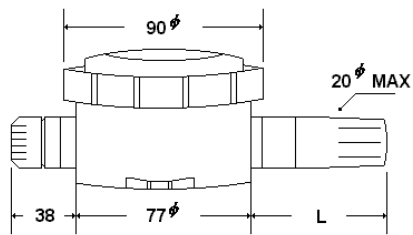
## TRH-303V



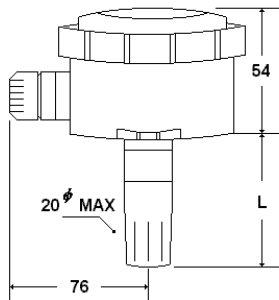
## TRH-302V, TRH-301V



**External Dimensions (mm)**  
**Wall Mount Type**

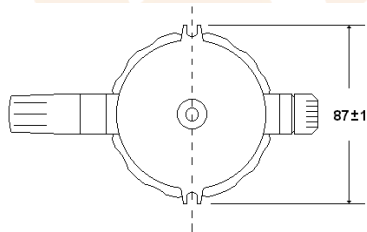


**Duct Mount Type**

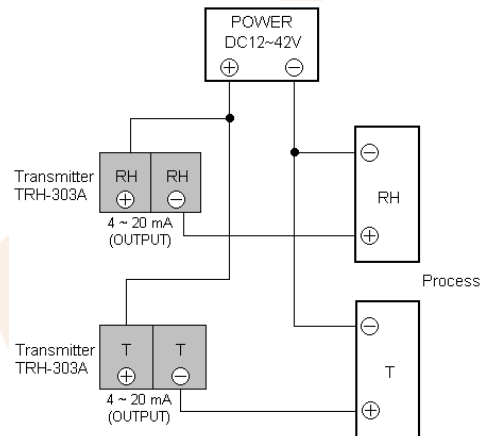


**Mounting**

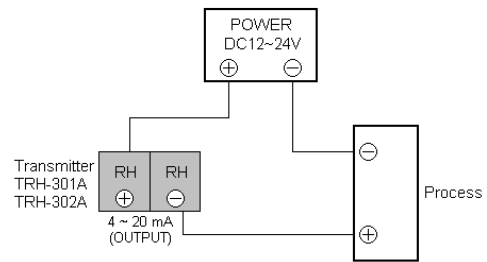
Used by 3-4mm or 1/8" screw for mounting



**TRH-303A**



**TRH-302A, TRH-301A**

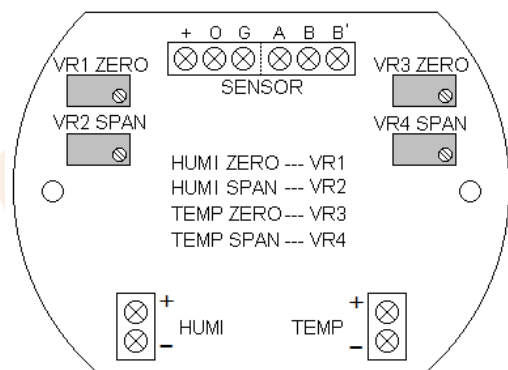
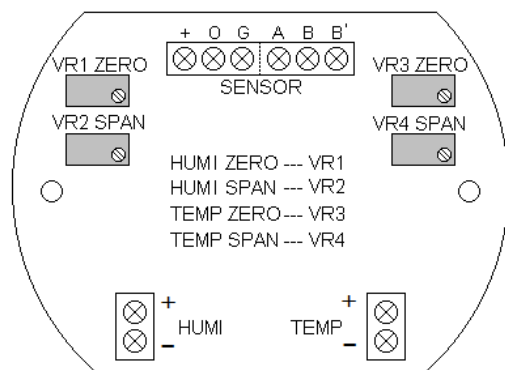


## On-Site Calibration & Wiring

## 調整及結線

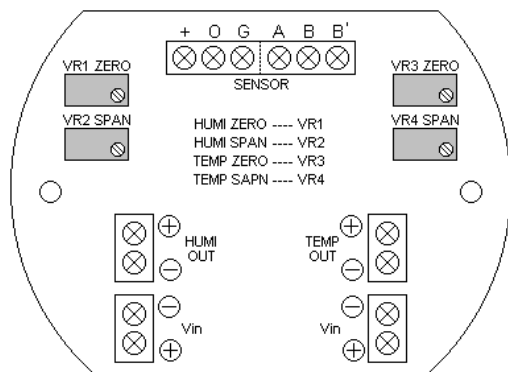
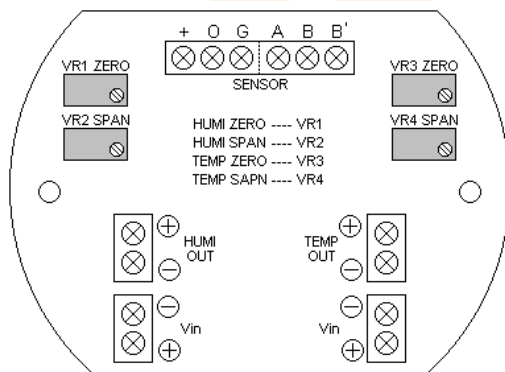
TRH-303A  
TRH-302A  
TRH-301A

TRH-303A  
TRH-302A  
TRH-301A

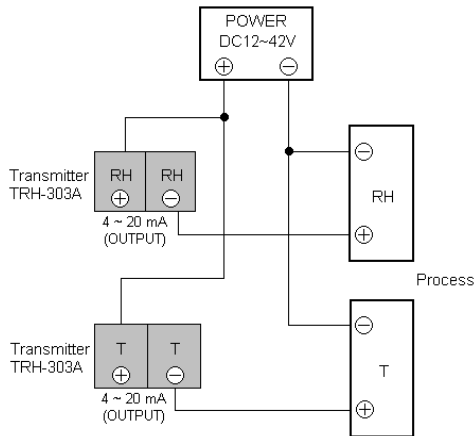


TRH-303V  
TRH-302V  
TRH-301V

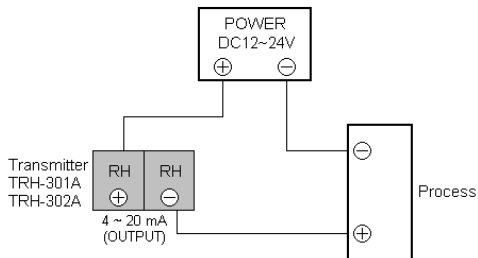
TRH-303V  
TRH-302V  
TRH-301V



### TRH-303A

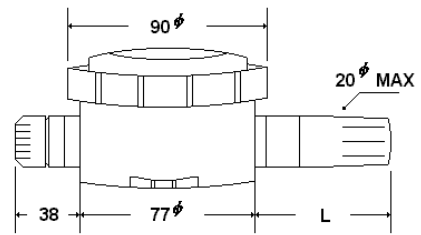


### TRH-302A, TRH-301A

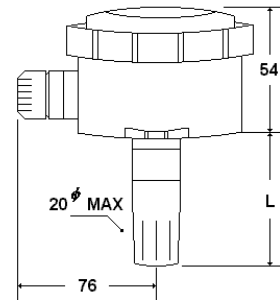


### 外型尺寸 (mm)

#### Wall Mount Type (壁掛型)

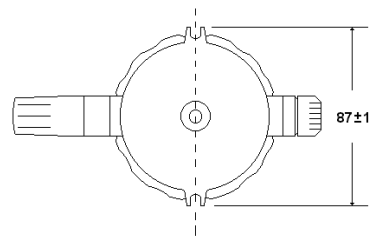


#### Duct Mount Type (管路型)

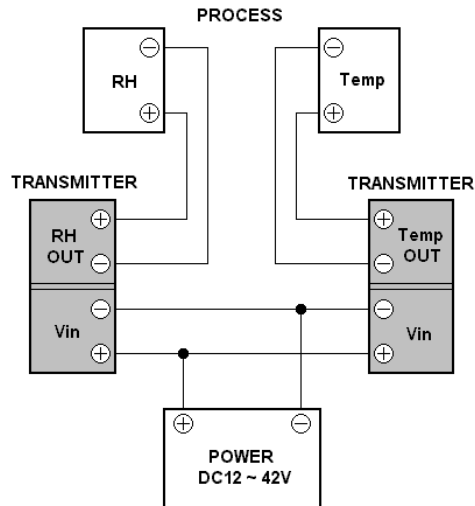


#### Mounting (固定圖示)

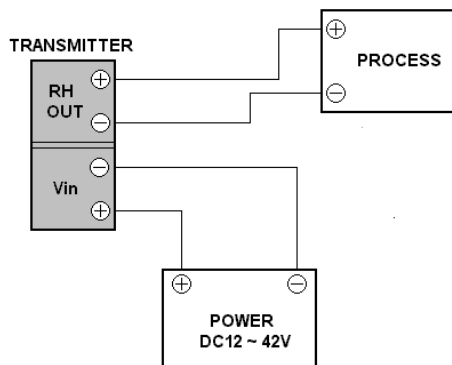
Used by 3-4mm or 1/8" screw for mounting



## TRH-303V



## TRH-302V, TRH-301V



## 機型代號

型號	功能內容	
TRH-301	溫度信號傳送器	
TRH-302	濕度信號傳送器	
TRH-303	溫、濕度信號傳送器	
外型 (Mounting)	W	壁掛式
	D	管路式
	S	分離式
輸出	A	電流輸出型
	V	電壓輸出型

[例]：TRH-303WA: 溫、濕度信號傳送器，壁掛式，電流輸出型。

## 規格

測量範圍	0~100% RH 0~100°C (-20~+80°C, 0~+50°C, -40~60°C 可指定)
精準度 (在 25°C)	±2% RH, ±0.3°C
穩定條件	一年內漂移小於 1% RH
溫度補償	±0.008% RH/°C (Effect @ 0% RH)
反應時間	15 秒內 (90% at+25°C in moving air 0.5 M/S)
感測器	濕度: Thin-Film capacitor 溫度: RTD Pt100Ω IEC751, DIN43760
訊號輸出	濕度: 4~20mA 兩線式 溫度: 4~20mA 兩線式 (scalable) ※可選購 0 to 1V, 0 to 5V, 0 to 10V or 1 to 5V 輸出
電壓供給	12 ~ 40V DC
感測器保護	Sintered filter, Part, No. TR-3066 (選購)，標準防塵、防干擾過濾罩
外殼設計	ABS plastic watertight enclosure (IP 65)，防水、防塵構造
接線器	Liquid-tight nylon, cable bushing: φ 5-10mm cables 防水型快速接線器及端子座
環境溫度	-40 ~ +85°C (-40 ~ +185°F)
重量	約 150 公克 (主器)